



Breeman International Supplies

"Today millions of cubic meters are moved by products which are developed, produced and maintained by Breeman International Supplies".

All dredging related products should increase production, secure a smooth dredging process and optimize dredger time at work. Dredging pumps are the heart of the dredging operations and therefore crucial to achieve the above mentioned goals. In achieving your smooth and reliable operations, Breeman takes into consideration the material of the pump components itself (casing, impeller, wear plates etc.), the type of pump (single walled or double walled) and its working environment conditions (clay, sand, rock etc.).



Breeman has its own selected range of material analysis and qualities. For each customer always an analysis is made of the right combination of material, delivery time and technical demands.



Breeman pumps are used in several dredging applications. This "stand alone" booster station is an example of a turnkey project in which a standard Breeman, double wall, high pressure pump is used.



The total project took, including, engineering, construction, and installation, only 12 months.

On the picture, the station is shown during the assembly process.

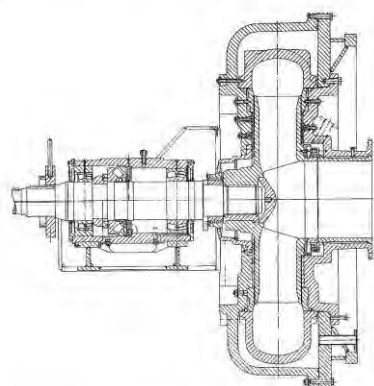




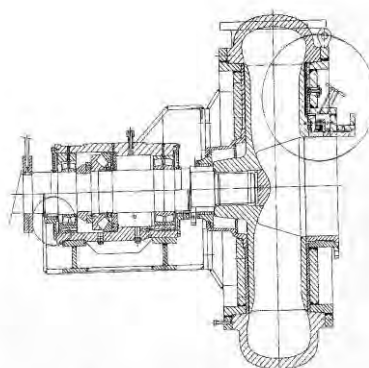
Breeman International Supplies

Breeman International Supplies delivers a range of unique standard products. With the quality label "A BREEMAN PRODUCT", these innovative standard applications are highly appreciated and wanted, both nationally and internationally, for their practical applicability, reliability and durability.

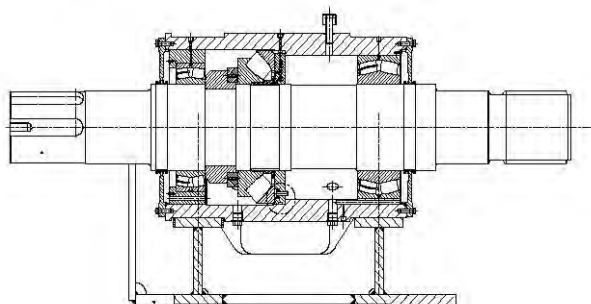
Breeman dredge pump systems are highly efficient in use. The pumps handle bigger volumes in less time at a lower cost because of their reliability, less wear and very low maintenance. Advanced computer engineering secure the highest pump efficiency at maximum sphere clearances over a wide range. Breeman dredge pumps are available in a complete range of pumps, single-walled, double walled, low pressure, high pressure, inboard and submerged. Optionally, the pumps may be delivered with gearbox, a combination of a bearing block, pedestal and reduction gears.



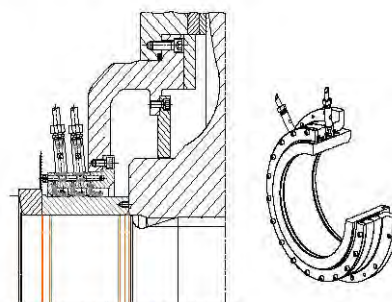
Breeman Double Walled Inboard Dredge Pump



Breeman Single Walled Submerged Dredge Pump with flushing system



The bearing block is absorbing the axial and radial forces of the impeller.



A Breeman Aqua Seal to avoid water leakage along the pump shaft.

Breeman Standard Pumps are available **Single or Double Walled, Low or High Pressure** with **3 or 4 bladed** impellers. Available ranges:

Pipe Diameter:

m³/hr:

discharge pressure range:

from 200 to 1100

from 2.500 to 21.600

from 10 to 100 mwc

Breeman International Supplies, Krommedijk 10, 3214 LH Zuidland, PO Box 46, 3214 ZG Zuidland
tel: +31 181 451166, fax: +31 181 452858, internet: www.breeman.nl, email: info@breeman.nl

Shanghai Representative Office, Room 1812, Silver Center, No. 1388, Shan Xi North Road, Shanghai,
P.R. China, 200060 Tel: +86 21 61498329 Fax: +86 21 61498001 email: info@breeman.nl