



Breeman International Supplies

Breeman International Supplies delivers a range of unique standard products . With the quality label "A BREEMAN PRODUCT", these innovative standard applications are highly appreciated and wanted, both nationally and internationally, for their practical applicability, reliability and durability .

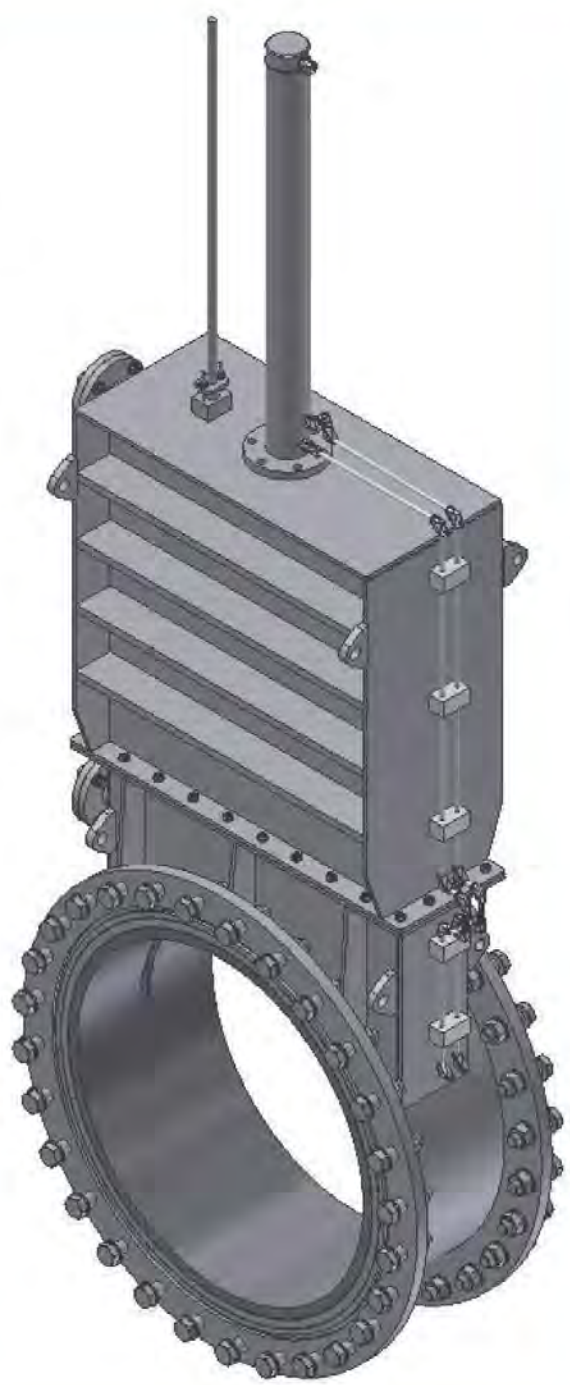
Valves : Suction Head Gate Valve

Breeman has a lot of experience with gate valves.

First assembling for third parties, now we are developing our own gate valves, and even suction head gate valves. This is with Polyurethane. Therefore the valves are made of AISI 316.

For gate valves without sealing we use 400 HB valves for a long life time.

We make every valve custom made, so a not-standard size or working pressure is no problem for us.



Breeman International Supplies, Krommedijk 10, 3214 LH Zuidland, PO Box 46, 3214 ZG Zuidland
tel: +31 181 451166, fax: +31 181 452858, internet: www.breeman.nl email : info@breeman.nl

Shanghai Representative Office, Room 1812, Silver Center, No.1388, Shan Xi North Road , Shanghai , P.R. China, 200060 Tel: +86 21 61498329 Fax: +86 21 61498001 email: info@breeman.nl



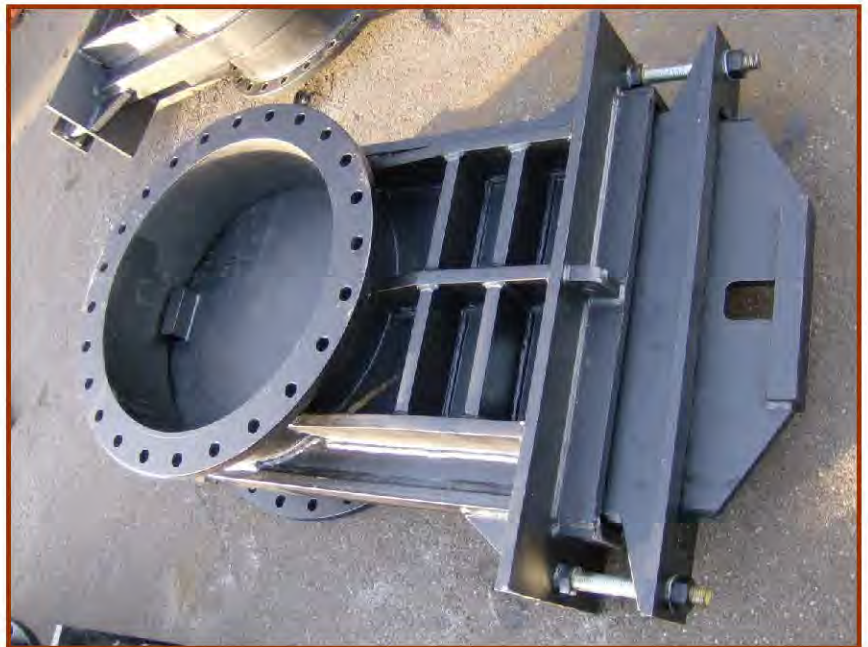
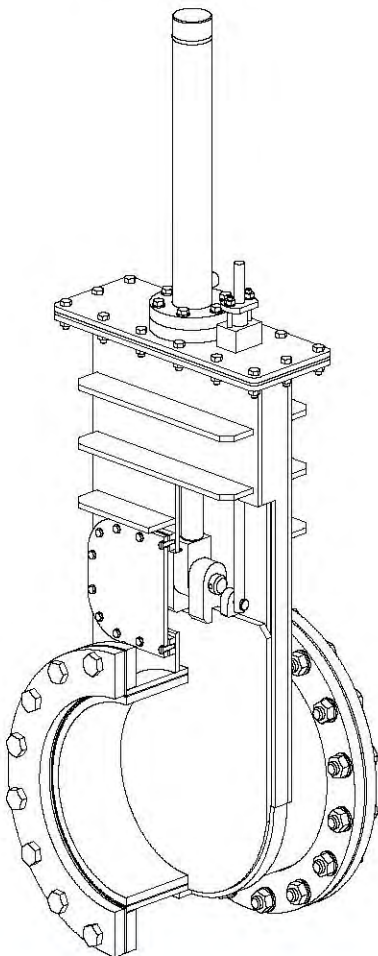
Breeman International Supplies

Breeman International Supplies delivers a range of unique standard products. With the quality label "A BREEMAN PRODUCT", these innovative standard applications are highly appreciated and wanted, both nationally and internationally, for their practical applicability, reliability and durability.

Valves: Gate Valve

For closing the valves there are different options we use:

- Cylinder support
- Rotating mechanism
- Lifting eye



Breeman International Supplies, Krommedijk 10, 3214 LH Zuidland, PO Box 46, 3214 ZG Zuidland
tel: +31 181 451166, fax: +31 181 452858, internet: www.breeman.nl, email: info@breeman.nl

Shanghai Representative Office, Room 1812, Silver Center, No. 1388, Shan Xi North Road, Shanghai,
P.R. China, 200060 Tel: +86 21 61498329 Fax: +86 21 61498001 email: info@breeman.nl