

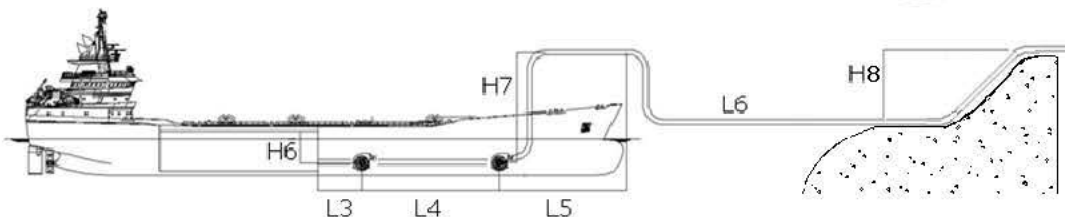
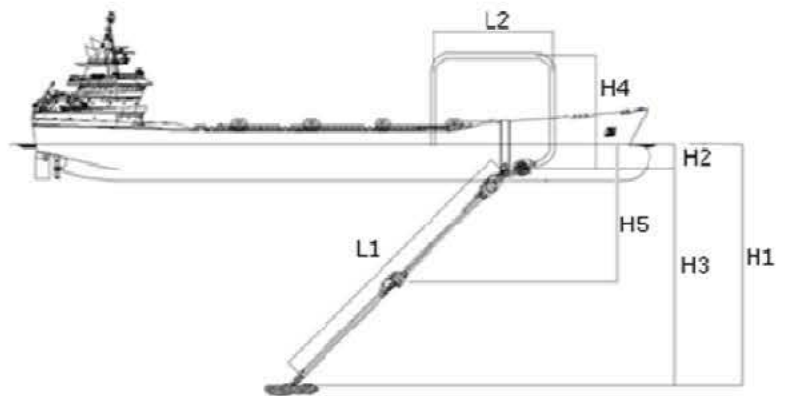


Breeman International Supplies

Information for Technical Calculations for Dredge Pumps.

Suction Pipe Diameter	mm	Available Shaft Power Submerged Pump		
Inboard Discharge Pipe Diameter	mm	When Dredging kW	
Ashore Discharge Pipe Diameter	mm	When Unloading kW	
Vessel Loading Volume	m ³			
Inboard Slurry Density	kg/m ³	Available Shaft Power Inboard Pump(s)		
Flooding Losses	%	When Dredging kW	
Submerged Pump Available	*Yes / No		When Unloading kW	
Type of Soil				
Clean Water Flow Rate	m ³ /h	Max Loading Time min	
Length Suction Pipe line	L1 m	Length to Pump 1	L3 m
Length Inboard Pipe line	L2 m	Length between Pump 1 & Pump 2	L4 m
Dredging Depth	H1 m	Inboard Discharge Length	L5 m
Pump Depth from Waterline	H2 m	Total Discharge length	L6 m
Pump Depth from Sea Bed / Riverbed	H3 m	Height Slurry Line & Pump Centreline	H6 m
Distance to Top Discharge Line	H4 m	Distance to Top Discharge Line	H7 m
Depth Submerged Pump	H5 m	Total Elevation	H8 m
Number of Bends & Valves in L1	Q1 -	Number of Bends & Valves in L3	Q3 -
Number of Bends & Valves in L2	Q2 -	Number of Bends & Valves in L4	Q4 -
			Number of Bends & Valves in L5	Q5 -
			Number of Bends & Valves in L6	Q6 -

* please delete as appropriate.



Breeman International Supplies
 Krommedijk 10
 3214 LH Zuidland
 PO Box 46, 3214 ZG Zuidland
 Tel: +31 181 451166
 Fax: +31 181 452858

Internet:
www.breeman.nl
www.breemanchina.com
E-mail:
info@breeman.nl

Shanghai Representative Office
 Room 1812, Silver Centre
 No. 1388, Shan Xi Road North
 Shanghai, P.R. China, 200060
 Tel: +86 21 61498329
 Fax: +86 21 61498001